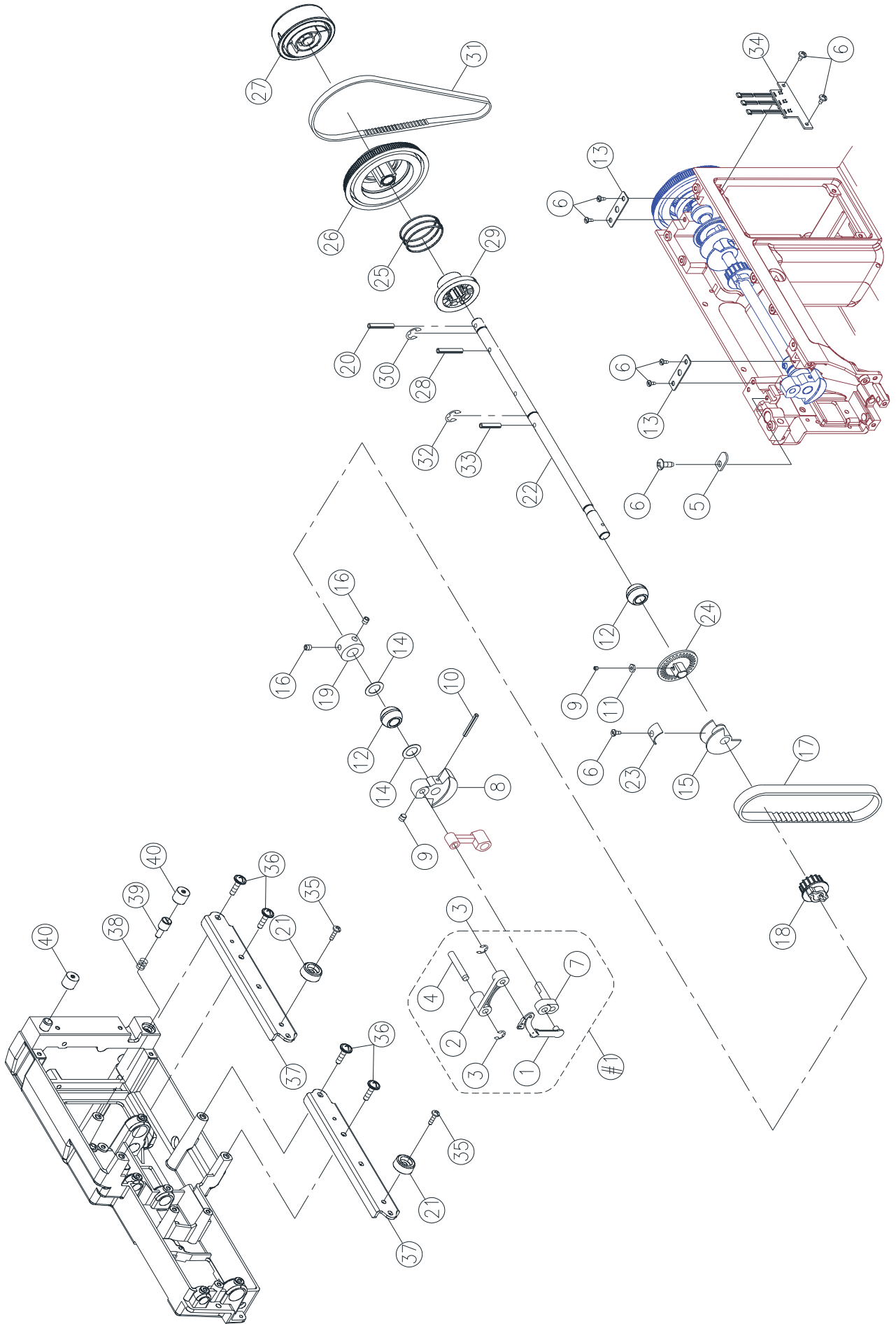


260C

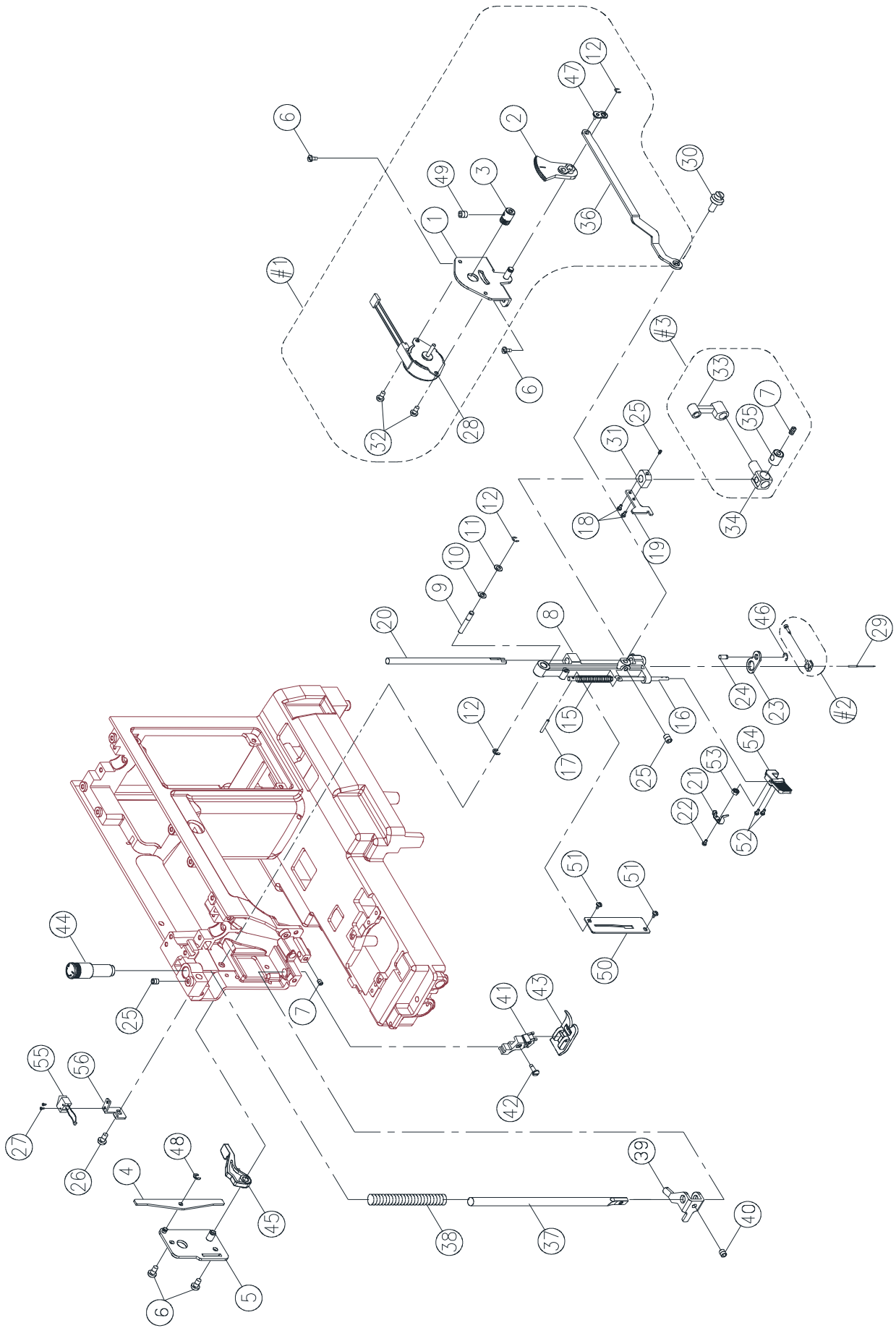
Parts list

A

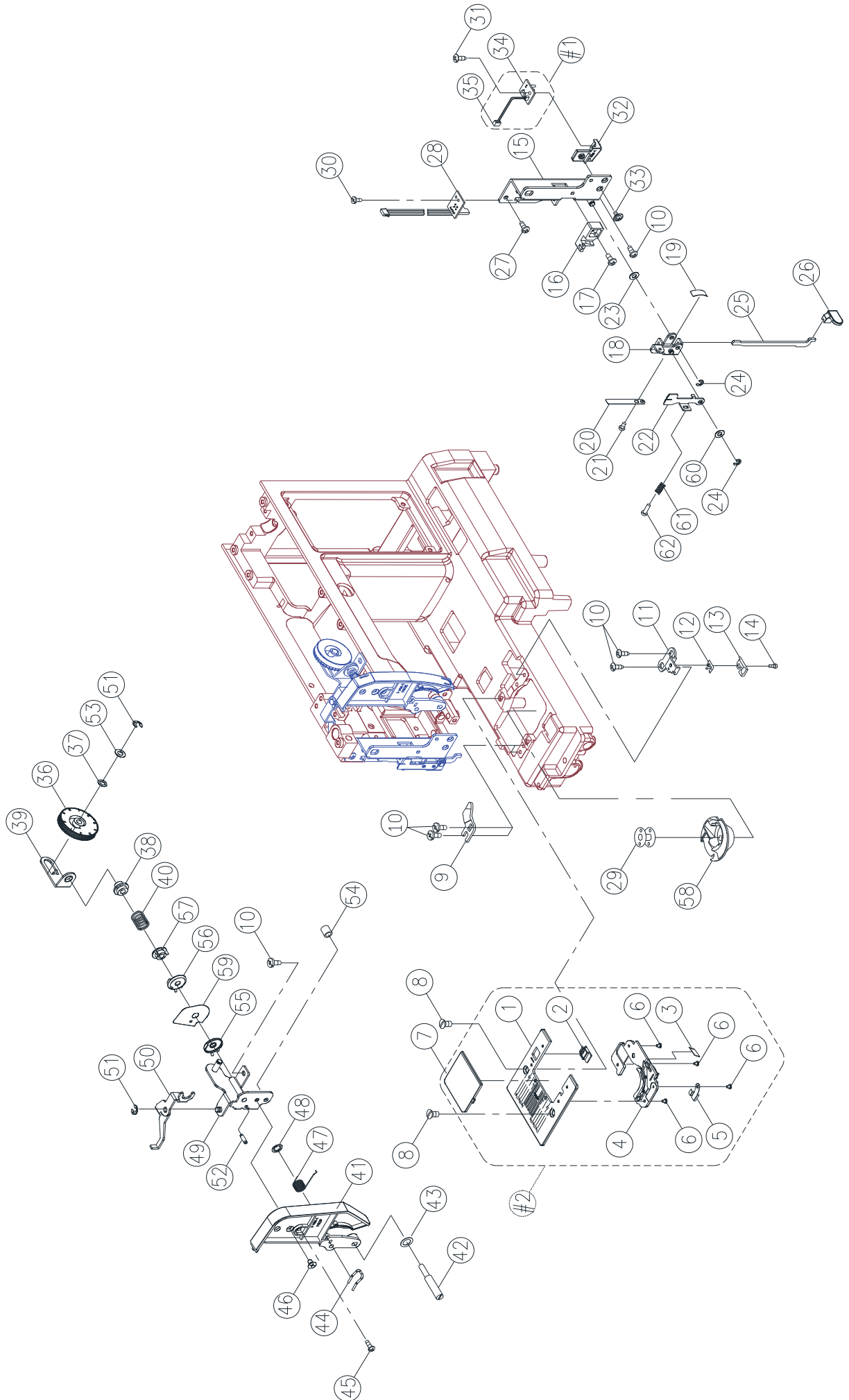


No.	Part No.	Description
1	416484501	THREAD TAKE UP LEVER CPL.
2	416484501	THREAD TAKE UP LEVER SUPPORTER
3	416116001	E-RING (ETW-3)
4	416162201	THREAD TAKE UP LEVER SUPPORTER SHAFT
5	416522601	SET WASTER
6	416121501	SET SCREW (M4×8A)
7	416484501	ARM SHAFT BALANCE PIN CPL.
8	416566401	ARM SHAFT BALANCE
9	416122101	SET SCREW (M4×6)
10	416117701	PIN (3.5×24)
11	416126501	NUT (M4 T=3)
12	416156301	ARM SHAFT BUSHING
13	416161701	ARM SHAFT BUSHING HOLDER PLATE
14	416125101	ENDURE ATTRITION WASHER
15	416642001	ROTARY SENSOR COLLAR
16	270 004250203	SET SCREW (M5×5)
17	416680301	MOTOR DRIVE BELT
18	416680201	ARM SHAFT SPROCKET
19	416156501	ARM SHAFT COLLAR
20	416680701	SPRING PIN (3×30)
21	416642201	FREE ARM BASE CUSHION RUBBER
22	270 H1A0033000	ARM SHAFT
23	416133301	ARC WASHER
24	416681101	REVOLUTION CONTROL PANEL
25	270 D5A0573003	ARM SHAFT CLUTCH ANNULUS SPRING
26	416680801	ARM SHAFT DRIVE BELT PULLEY
27	68009171	HAND WHEEL
28	270 003043028	SPRING PIN (3×28)
29	416307201	ARM SHAFT COLLAR
30	416680501	E-RING (ETW-8)
31	416685701	MOTOR DRIVE BELT (2M)
32	416116501	E-RING (ETW-9)
33	416117601	SPRING PIN (3×18)
34	68003049	PHOTO SENSOR CPL.
35	416121301	SET SCREW (M4×8B)
36	416679301	SET SCREW (M5×10)
37	270 H1A0413006	FREE ARM BASE CUSHION
38	416147301	BASE PLATE ADJUSTMENT SCREW SPRING
39	416154601	BASE PLATE ADJUSTMENT SCREW
40	416496401	FREE ARM BASE CUSHION RUBBER
#1	416484501	THREAD TAKE UP LEVER CPL.

B

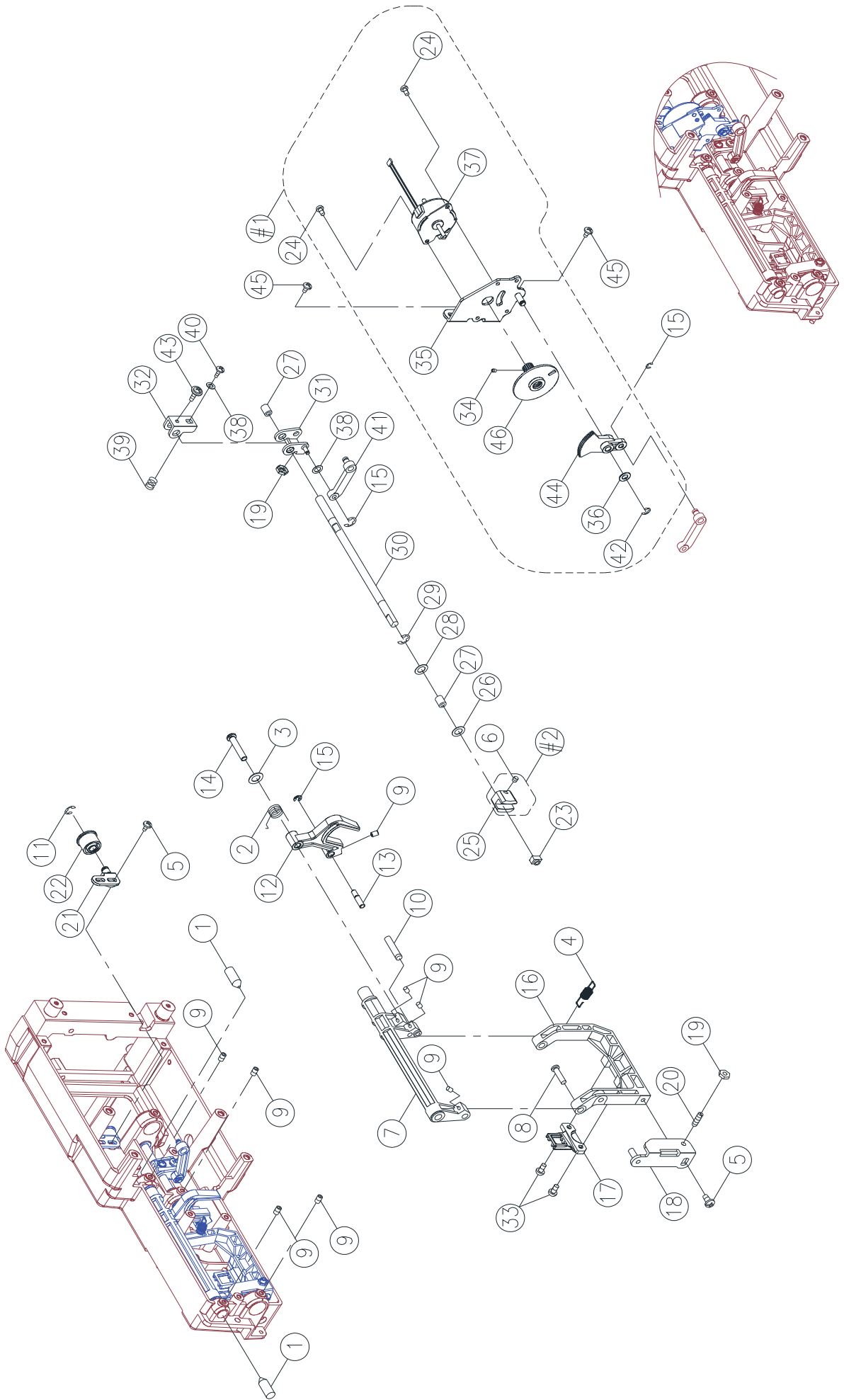


No.	Part No.	Description
1	68015300	ZIGZAG PULSE MOTOR PLATE
2	68015303	ZIGZAG CRANK GEAR
3	68015302	PULSE MOTOR GEAR
4	68013273	TENSION LEVER LIFTER
5	68013272	CLAMP PLATE
6	416121501	SET SCREW (M4×8 A)
7	416122401	SET SCREW (M4×4)
8	416579901	NEEDLE BAR SUPPORTER
9	416189301	NEEDLE BAR SUPPORTER PIN
10	416186901	WASHER (WW-6)
11	416185801	WASHER (6.5×13×1)
12	416116201	E-RING (ETW-4)
13	416116301	E-RING (ETW-5)
14	416184601	SET SCREW (M3×4 C)
15	416580101	THREADING SHAFT SPRING
16	416740501	THREADING SHAFT
17	416409401	PIN (2×16)
18	416184401	SET SCREW (M2×4)
19	416478101	THREADING STOP HOLDER
20	416173601	NEEDLE BAR
21	416409701	THREADING
22	416411101	SET SCREW (M2×3.5)
23	416682401	NEEDLE BAR SUPPORTER
24	68014111	NEEDLE BAR SUPPORTER PLATE PIN
25	416121001	SET SCREW (M4×5)
26	416121201	SET SCREW (M4×6B)
27	416119101	SET SCREW (M2x0.4xL7.5)
28	68009172	PULSE MOTOR
29		NEEDLE
30	416801101	PIN
31	416189601	THREADING STOPPER
32	416120601	SET SCREW (M3×5A)
33	416235801	NEEDLE BAR CRANK ROD
34	416235801	NEEDLE BAR BRACKET (1)
35	416235801	NEEDLE BAR BRACKET (2)
36	416580501	NEEDLE BAR DRIVING ROD
37	416476801	PRESSER BAR
38	68009173	PRESSER BAR SPRING
39	68013267	PRESSER BAR BRACKET
40	416122101	SET SCREW (M4×6)
41	416477001	SHANK CPL.
42	416430601	SET SCREW
43	820258096	ALL PURPOSE FOOT
44	416801401	PRESSER BAR REGULATING SCREW CPL.
45	68009189	PRESSER BAR LIFTER LEVER
46	416116101	E-RING (ETW-4)
47	270 P3C0123002	NEEDLE BAR DRIVING ROD PLATE
48	416116001	E-RING (ETW-3)
49	416120001	SET SCREW (M3×3)
50	416580001	THREADING GUIDE
51	416119201	SET SCREW (M3×6 A)
52	416408801	SET SCREW (M2×4B)
53	416580801	NUT (M2 T=1.6)
54	416580201	THREADING PLATE
55	416478001	MICRO SWITCH
56	68009190	PLATE
#1	68009172	ZIGZAG PULSE MOTOR PLATE CPL.
#2	416613201	NEEDLE CLAMP CPL.
#3	416235801	NEEDLE BAR CRANK ROD CPL.

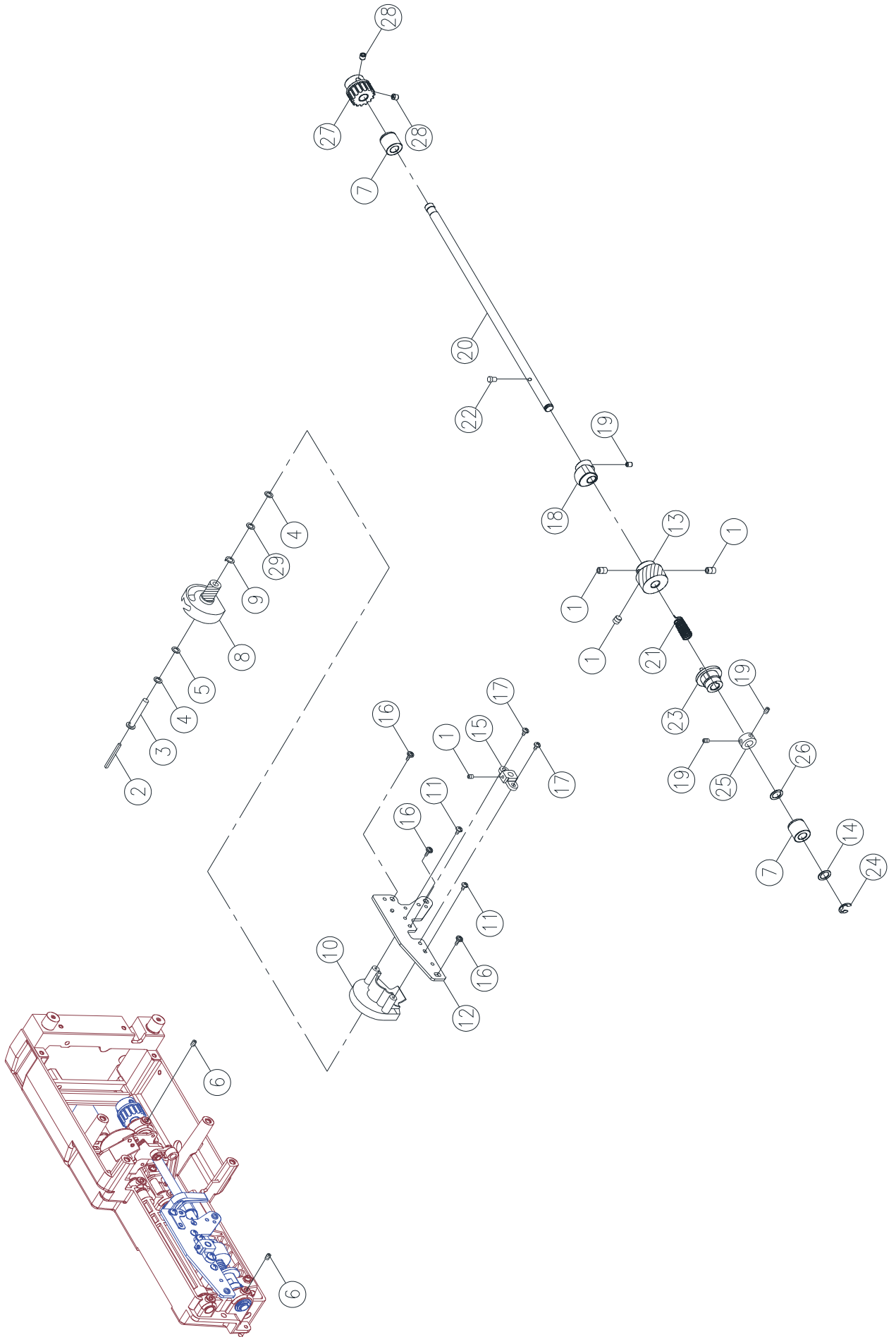


No.	Part No.	Description
1	68009196	NEEDLE PLATE
2	416155201	NEEDLE PLATE COVER OPEN
3	412423701	THREAD CUTTER
4	416568701	NEEDLE PLATE SUPPORTER
5	416147501	NEEDLE PLATE SPRING
6	416679801	SET SCREW (M2X3)
7	416679701	NEEDLE PLATE COVER
8	416122901	SET SCREW (M4×6)
9	416144001	ROTARY HOOK PLATE
10	416121201	SET SCREW (M4×6 B)
11	416143901	ROTARY HOOK PLATE (2)
12	416143901	ROTARY HOOK PLATE SPRING (2)
13	416143901	ROTARY HOOK PLATE SPRING (1)
14	416119001	SET SCREW (M2×2.5)
15	270 H1A0273006	BH LEVER PLATE
16	270 P3C0203209	BH MOVEMENT CRANK
17	416119201	SET SCREW (M3×6A)
18	68015287	BH LEVER CRANK
19	416310401	BH SPRING PLATE
20	68015288	BH LEVER CRANK SPRING
21	270 004230056	SET SCREW (M3×5B)
22	416569801	PHOTO PLATE
23	416186201	WASHER (5.2x10x0.2)
24	416116001	E-RING (ETW-3)
25	270 P3C0183002	BH LEVER
26	68009191	BH LEVER BUTTON
27	416121501	SET SCREW (M4×8A)
28	68017324	PHOTO SENSOR PLATE
29	68000175	BOBBIN
30	416120601	SET SCREW (M3×5A)
31	416686601	SET SCREW (M3×6B)
32	68009193	LED HOLDER
33	416686701	SET SCREW (M3×5)
34	68009195	LED LIGHT LAMP
35	68009195	LED LAMP LINE
36	416803201	DIAL TENSION KNOB
37	416126001	WASHER (WW-5)
38	416153801	DIAL TENSION REGULATOR
39	416716901	DIAL TENSION SPRING PLATE
40	416826901	DIAL TENSION SPRING
41	68017347	DIAL TENSION SUPPORTER PLATE COVER
42	416123001	SET SCREW (M4)
43	416186401	WASHER (4.1x8x1)
44	416198701	THREAD GUIDE
45	416121701	SET SCREW (M4×15B)
46	416121901	SET SCREW (M4×6)
47	416162601	THREAD GUIDE SPRING
48	416116701	CS RING (CS-5)
49	416716701	DIAL TENSION SUPPORTER PLATE
50	68017483	DIAL TENSION WAFT PLATE
51	416116101	E-RING (ETW-4)
52	416117501	PIN (3×10×0.6)
53	416124501	WASHER (5.2×10×0.5)
54	416151701	DIAL TENSION GUIDE SPRING TUBE
55	416153601	DIAL TENSION DISC (1)
56	416146301	DIAL TENSION DISC
57	416412001	DIAL TENSION SPRING REGULATOR
58	416827001	SHUTTLE HOOK CPL.
59	68009194	DUAL THREAD GUIDE PLATE
60	270 004300096	WASHER (4x8x0.5)
61	416306901	PULSE SUPPORT SPRING
62	416570101	SET SCREW (M3×16)
#1	68009195	LED LIGHT LAMP CPL.
#2	68009196	NEEDLE PLATE CPL.

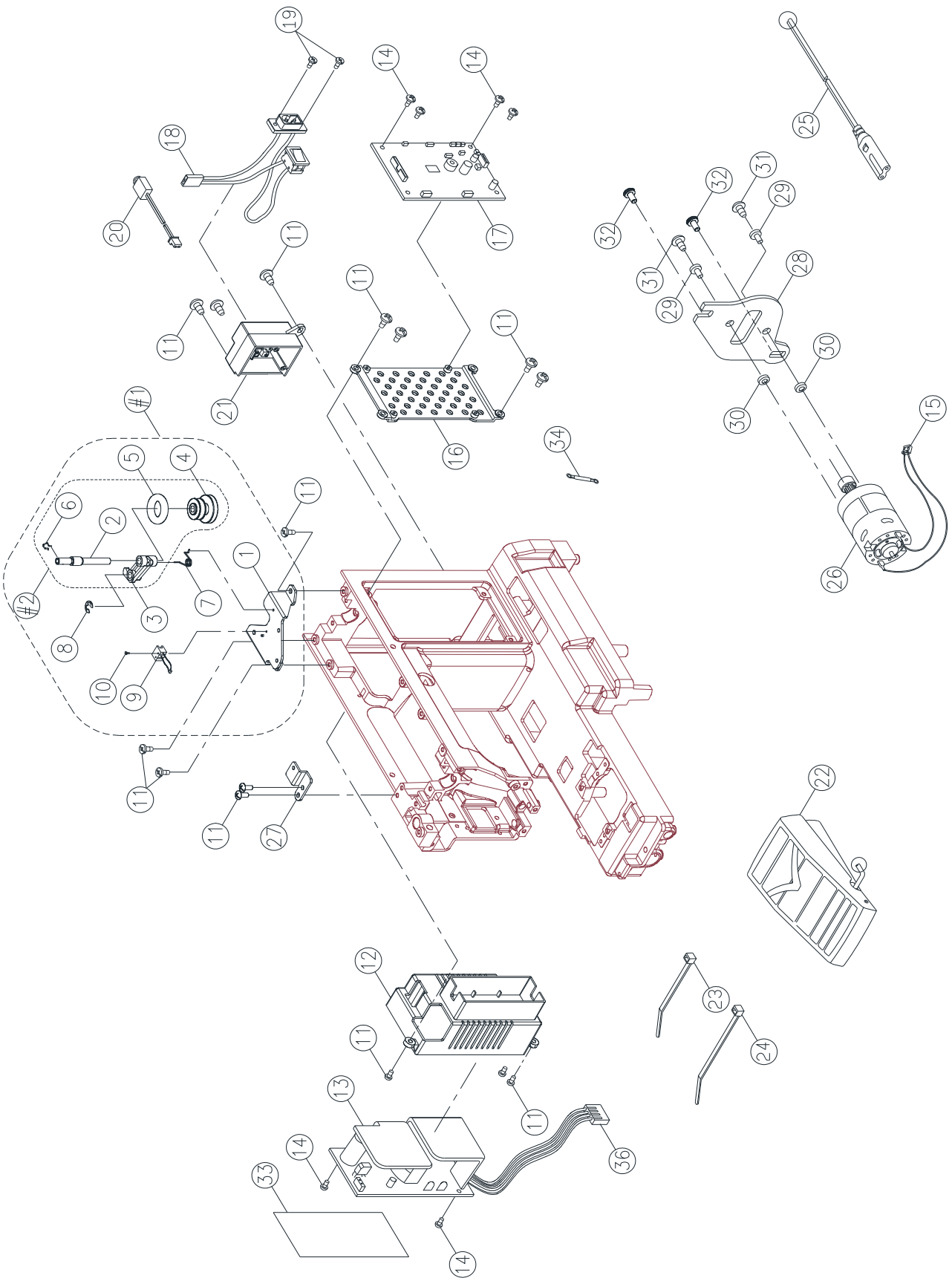
D



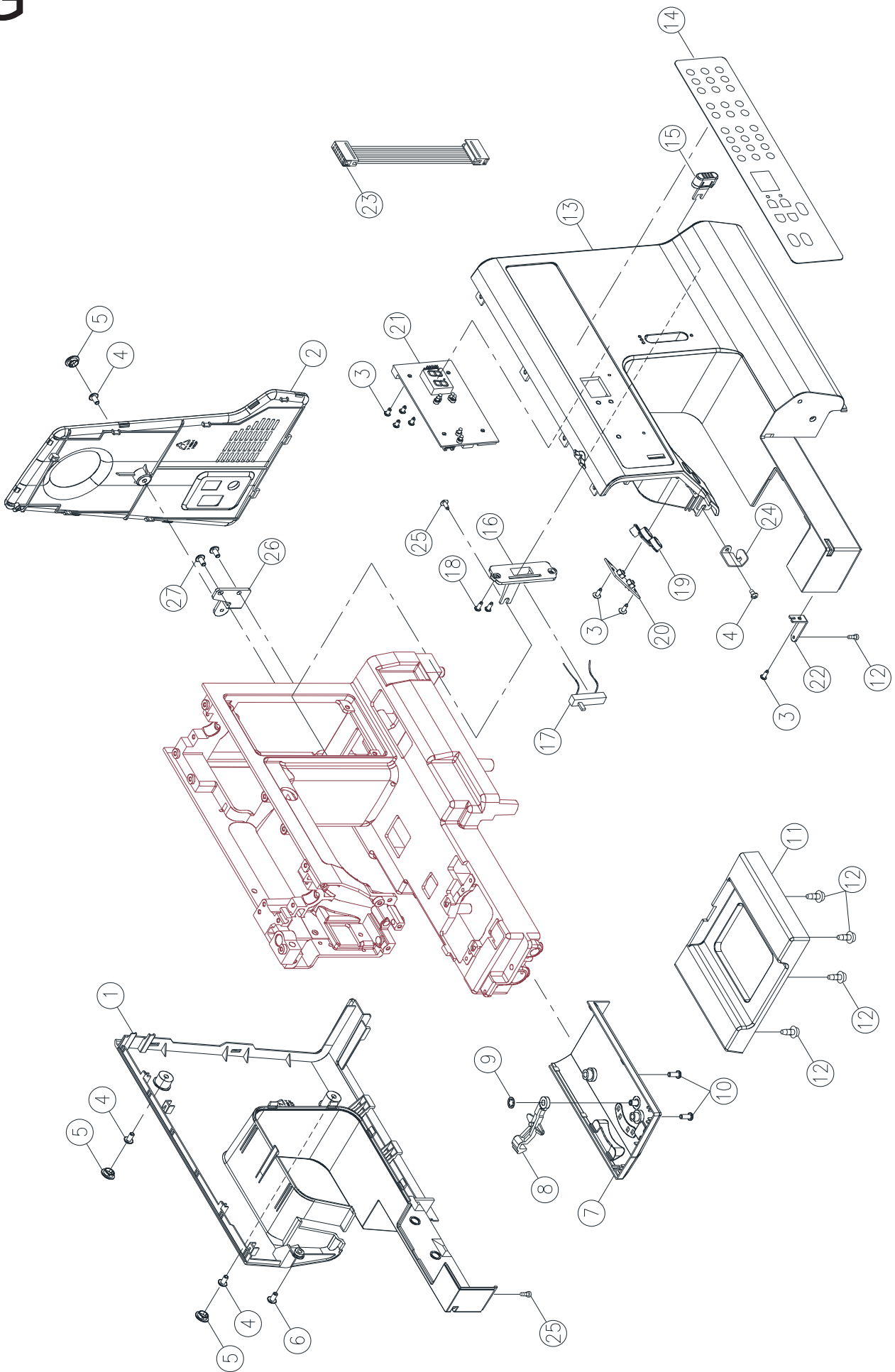
No.	Part No.	Description
1	416192801	FEED CRANK SHAFT
2	416195701	FEED ROCK CRANK SPRING
3	416186301	WASHER (5.2×12×1)
4	68003066	FEED DOG SPRING
5	416121501	SET SCREW (M4×8 A)
6	416122401	SET SCREW (M4×4)
7	416191901	FEED ROCK SHAFT
8	416192101	FEED DOG SHAFT
9	416122101	SET SCREW (M4×6)
10	416549201	FEED ROCK FRAME SHAFT (2)
11	416116101	E-RING (ETW-4)
12	416192401	FEED ROCK CRANK
13	416192601	REGULATING BLOCK SHAFT
14	416192501	FEED ROCK SHAFT
15	416116001	E-RING (ETW-3)
16	416192001	FEED DOG SUPPORTER
17	416479601	FEED DOG
18	416192301	FEED LIFTING ROCK CRANK
19	68015308	ADJUSTING NUT (ALN-4)
20	416185501	SET SCREW (M4×0.7 L9)
21	416683801	BELT ADJUSTING PLATE
22	416683901	BELT ADJUSTING PLATE PULLEY
23	416356601	FEED REGULATING BLOCK
24	416120601	SET SCREW (M3×5A)
25	416356501	FEED REGULATING
26	416125601	ENDURE ATTRITION WASHER
27	416156901	FEED ROCK BUSHING
28	416124001	WASHER (6.7×12×1)
29	416116301	E-RING (ETW-5)
30	270 H1A0203000	FEED REGULATING SHAFT
31	416134701	FEED REGULATING CRANK
32	416631501	FEED CRANK
33	270 004235016	SET SCREW (M3.5×0.6 L8)
34	416120001	SET SCREW (M3×3)
35	416643101	PULSE SUPPORT PLATE
36	416124501	WASHER (5.2×10×0.5)
37	416643101	PULSE MOTOR CPL.
38	416124101	WASHER (4.2×8×0.8)
39	416571701	FEED REGULATING CRANK SPRING
40	416123401	SET SCREW
41	416136101	FEED ROCK ROD
42	416116201	E-RING (ETW-4)
43	416595701	SET SCREW (M3×12)
44	270 P3C0243000	FEED ROCK CRANK GEAR
45	416119201	SET SCREW (M3×6A)
46	270 R1A1394000	PULSE MOTOR GEAR CPL.
#1	416643101	PULSE SUPPORT PLATE CPL.
#2	270 D3A1674000	FEED REGULATING CPL.



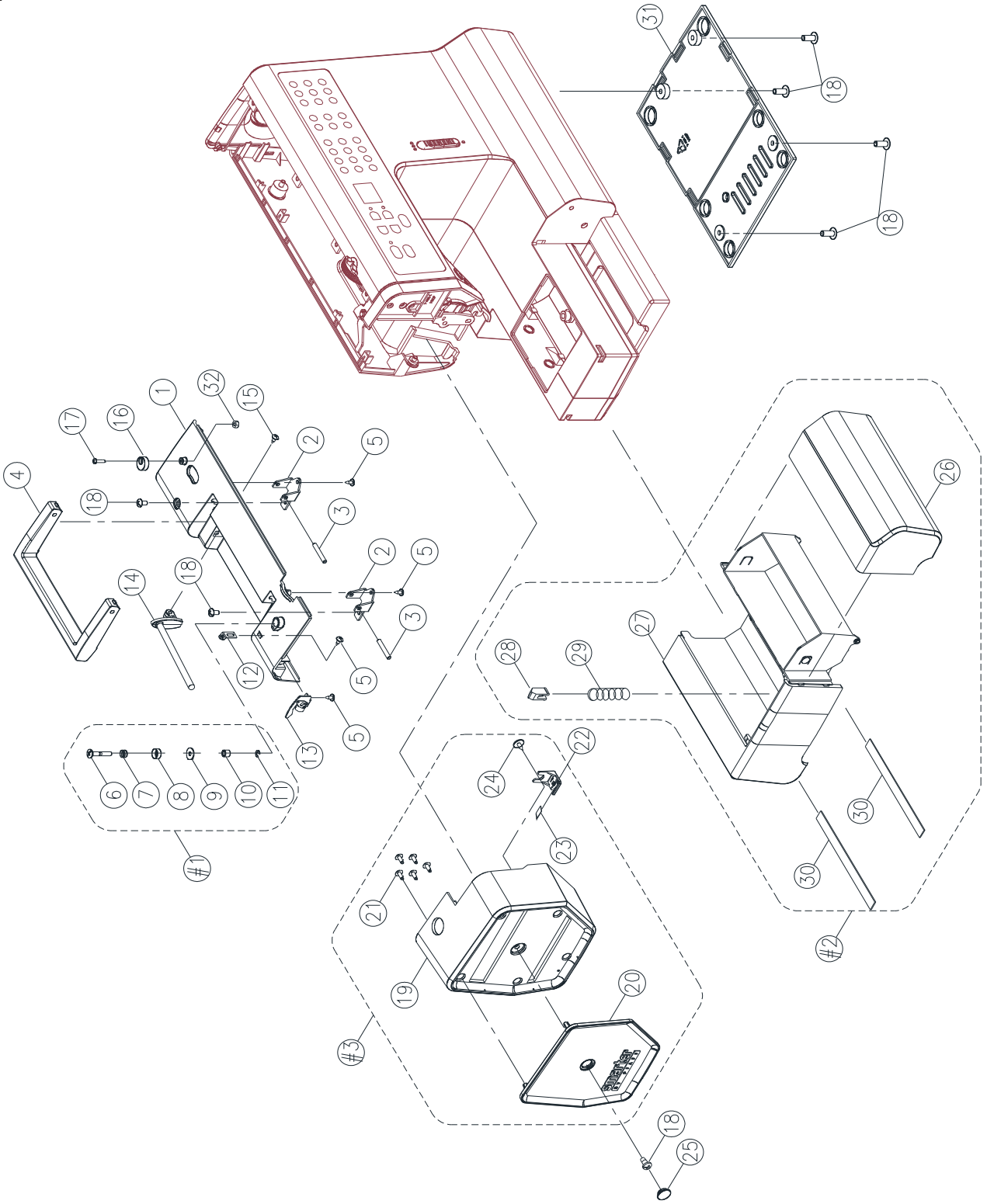
No.	Part No.	Description
1	416121001	SET SCREW (M4×5)
2	416155801	BOBBIN SHAFT OIL CLOTH
3	416145401	BOBBIN SHAFT
4	416155601	BOBBIN SHAFT WASHER (2)
5	416125901	ENDURE ATTRITION WASHER (6.2x9.6x0.5)
6	416122101	SET SCREW (M4×6)
7	416141701	LOWER SHAFT BUSHING
8	416479801	SHUTTLE HOOK HOLDER
9	416155701	BOBBIN SHAFT WASHER (3)
10	68013932	SHUTTLE HOOK COVER
11	416119501	SET SCREW (M3×12)
12	270 H1A0383006	ROTARY HOOK HOLDER
13	416197201	LOWER SHAFT GEAR
14	416186501	WASHER (8.2×12×0.5)
15	416143401	ROTARY HOOK SUPPORTER
16	416679501	SET SCREW (M4×8)
17	416121501	SET SCREW (M4×8 A)
18	416631701	FEED ROCK CAM
19	416122401	SET SCREW (M4×4)
20	270 H1A0133000	LOWER SHAFT
21	416191401	LOWER SHAFT SPRING
22	416191301	FEED LIFTING ROCK COM PIN
23	416191201	FEED LIFTING ROCK CAM
24	416116401	E-RING (ETW-6)
25	416158801	LOWER SHAFT COLLAR
26	416125801	ENDURE ATTRITION WASHER (8.2×12×0.5)
27	270 H1A0463000	LOWER SHAFT BELT PULLEY
28	270 004250203	SET SCREW (M5×5)
29	68013850	ENDURE ATTRITION WASHER (6.2x9.6x0.25)



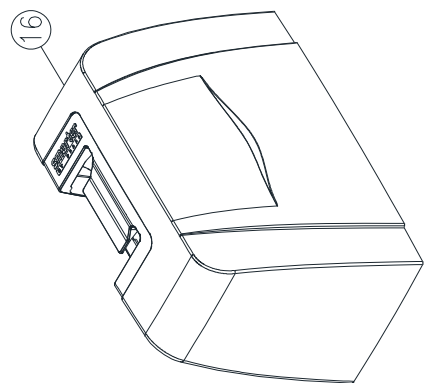
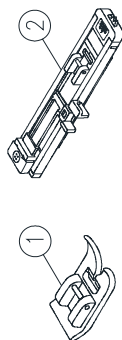
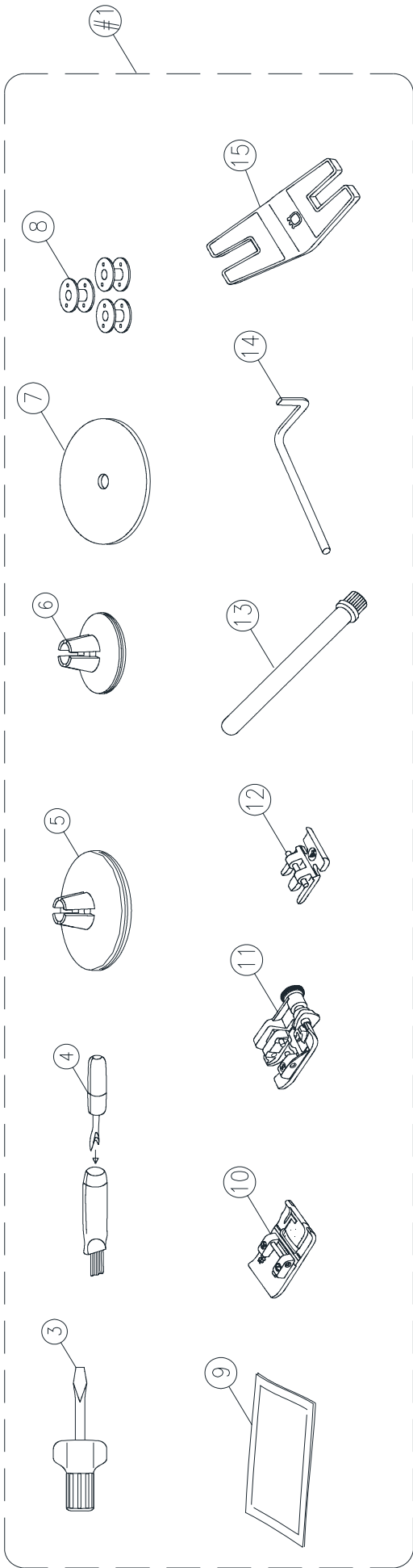
No.	Part No.	Description
1	68009198	BOBBIN WINDER PLATE
2	416700601	BOBBIN WINDER CRANK
3	416700601	BOBBIN WINDER CRANK
4	416700601	BOBBIN WINDER PULLEY
5	416149201	BOBBIN WINDER RUBBER PULLEY
6	270 F20193000	BOBBIN WINDER CRANK SPRING
7	270 K6A0573003	BOBBIN WINDER CRANK SPRING
8	416116301	E-RING (ETW-5)
9	416684601	MICRO SWITCH
10	416119101	SET SCREW (M2x0.4x7.5)
11	416121501	SET SCREW (M4x8A)
12	416643201	HF TRANSFORMER BOX
13	68009200	HF TRANSFORMER CPL. FOR 100V/230V
14	270 004230216	SET SCREW (M3x8.5)
15	416572801	DC MOTOR LEAD CORD
16	270 H1A0543209	FRAME OF MAIN CIRCUIT BOARD
17	68009201	MAIN CIRCUIT BOARD
18	68009202	SWITCH RECEPTACLE ASS'Y FOR 230V
18	68009203	SWITCH RECEPTACLE ASS'Y FOR 120V
19	270 004230326	SET SCREW (M3x12B)
20	68020225	CONTROLLER RECEPTACLE FOR 100V/230V
20	416685401	CONTROLLER RECEPTACLE FOR 120V
21	68009204	RECEPTACLE HOLDER
22	68009205	FOOT CONTROLLER (C-9000)(Old version Shiny surface)
22	68011140	FOOT CONTROLLER (New version Matte surface)
23	416113901	CORD CLIP (L=12)
24	416115501	CORD CLIP (L=20)
25	412157801	POWER CORD FOR 230V
25	412157903	POWER CORD FOR 120V
25	412158101	POWER CORD FOR 240V
26	68003801	DC MOTOR CPL.
27	68016472	ARM TOP COVER BRACKET
28	270 H1A0303006	MOTOR BRACKET
29	416419001	INSULATION SPACER
30	416418901	INSULATION SPACER
31	416120201	SET SCREW (M3x10)
32	68013176	CAP SCREW WITH WASHER
33	270 008H1A0027	SMPS INSULATING SLICE
34	416687301	GROUND CONNECTION
35	416643401	HF TRANSFORMER WIRE FOR 230V
35	416643402	HF TRANSFORMER WIRE FOR 120V
#1	68009198	BOBBIN WINDER CPL.
#2	416700601	BOBBIN WINDER CRANK CPL.



No.	Part No.	Description
1	68009206	BACK COVER
2	68009207	MOTER DRIVE BELT COVER
3	270 004230086	SET SCREW (M3×6B)
4	416121501	SET SCREW (M4×8A)
5	68009208	CAP
6	416121101	SET SCREW (M4×10B)
7	416804701	FREE ARM BASE
8	416804801	TOOTH LEVER ARM
9	416116701	CS-RING (CS-5)
10	416121601	SET SCREW (M4×12B)
11	68009209	FREE ARM FOOT BUSH
12	270 004230216	SET SCREW (M3×8.5)
13	68009210	FRONT COVER
14	68018572	FRONT PANEL CPL.
15	68009212	SLIDE VOLUME KNOB
16	68009213	SLIDE VOLUME KNOB CONNECTOR
17	68009214	SLIDE VOLUME
18	416413501	SET SCREW (M3×7)
19	68009215	START/STOP PUSH BUTTON
20	68009216	START/STOP REVERSE CIRCUIT BOARD
21	68009217	LED MAIN CIRCUIT BOARD
22	416144401	ARM FRONT COVER SET PLATE
23	416689701	ROW LINE
24	416145101	ARM TOP COVER THREAD GUIDE PLATE
25	416679501	SET SCREW (M4×8)
26	68017496	MOTOR DRIVE BELT COVER FRAME
27	416121301	SET SCREW (M4×8B)



No.	Part No.	Description
1	68017521	TOP COVER
2	68016473	HANDLE BRACKET
3	416469401	PIN
4	416804401	HANDLE
5	270 004230216	SET SCREW (M3×8.5)
6	416804901	BOBBIN WINDER THREAD GUIDE ADJUSTING SCREW
7	416804901	BOBBIN WINDER THREAD GUIDE SPRING
8	416804901	BOBBIN WINDER SPRING DISC
9	416804901	BOBBIN WINDER THREAD GUIDE
10	416804901	SPACER
11	416804901	E-RING (ETW-3)
12	416804501	THREAD GUIDE
13	416469501	THREAD GUIDE CPL.
14	416804601	SPOOL PIN BASE
15	416718401	SET SCREW (M3×12B)
16	416554101	BOBBIN WINDER
17	416174001	SET SCREW (9/64x40x16B)
18	416121501	SET SCREW (M4×8A)
19	68009227	FACE COVER
20	68009228	FACE PANEL
21	416184801	SET SCREW (M3×8)
22	416805701	FACE CUTTER PLATE
23	412423701	THREAD CUTTER
24	416718501	SET SCREW (M3×8)
25	68018577	CAP
26	68009232	SEWING TABLE BODY COVER
27	68009232	SEWING TABLE BODY
28	68009232	SEWING TABLE BODY GUIDE
29	68009232	SEWING TABLE BODY GUIDE SPRING
30	68009232	SEWING TABLE BODY FELT
31	68009229	BASE PLATE COVER
32	416126301	NUT (9/64x40x3)
#1	416804901	BOBBIN WINDER THREAD GUIDE CPL.
#2	68009232	SEWING TABLE CPL.
#3	68009227	FACE PLATE CPL.



No.	Part No.	Description
1	820258096	ALL PURPOSE FOOT
2	416483201	BUTTONHOLE FOOT CPL.
3	412381501	SCREW DRIVE (LARGE)
4	416691401	BRUSH/SEAM RIPPER
5	416483301	SPOOL HOLDER (LARGE)
6	416483401	SPOOL HOLDER (SMALL)
7	416483501	FELT PAD
8	68000175	BOBBIN
9		NEEDLE
10	413060501	FANCY STITCHES FOOT (2A)
11		BLIND HEMMING FOOT (INCLUDED IN #1)
12		ZIPPER FOOT (INCLUDED IN #1)
13	416483801	SPOOL PIN AMBITION
14	416483701	EDGE/QUILTING GUIDE
15	416483601	CLEARANCE PLATE
16	68009230	HARD CASE CPL.
#1	68009231	ACCESSORY CPL.